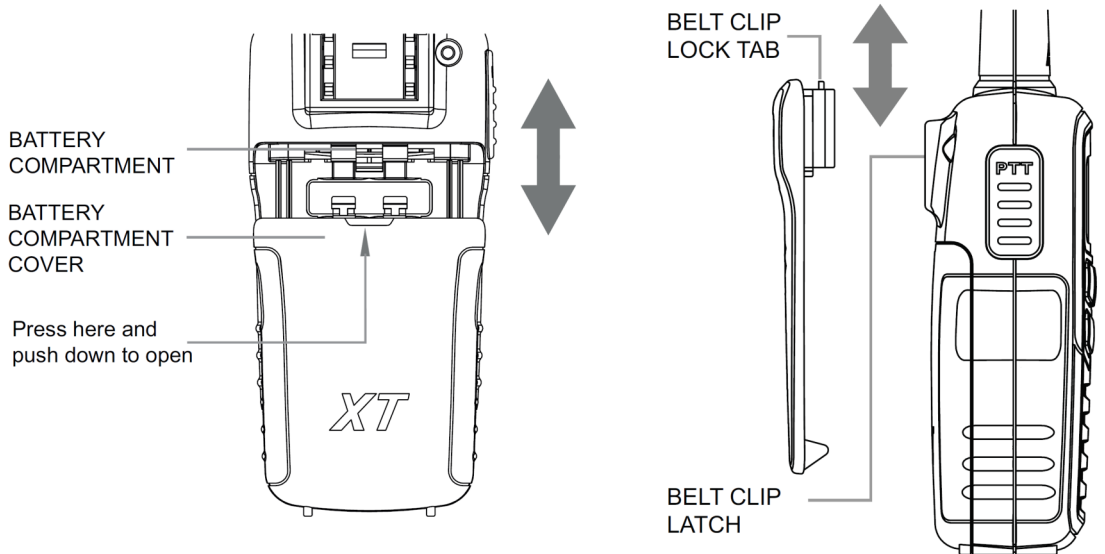


# LWC Radio — Everybody Needs a Connection!

## Midland T10 X-Talker® Radio Instructions

(Different Radio or Questions? - Contact Your Safety Area Captain for Help)

- 1) Remove belt clip, open back, insert 3 AAA batteries & replace cover



- 2) Press Menu / (power) for 3 seconds

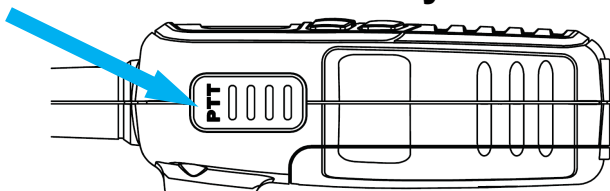
If not on Channel 15, press Menu / (power) button quickly, then press the (down/up) buttons to change channels



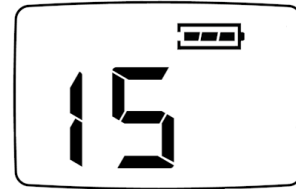
- 3) Press (down/up) to decrease or increase volume



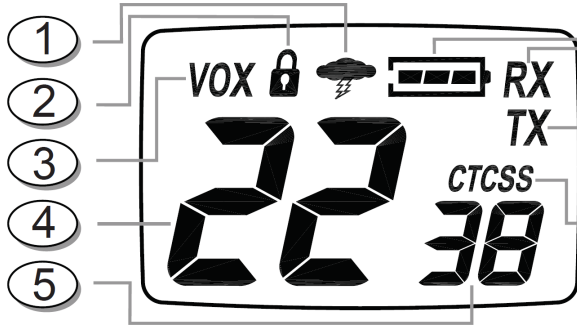
- 4) On Channel 15, press & hold the Push to Talk (PTT) button to talk. When finished, say "over" & **release** PTT button so others may talk.



**5) Press here for 3 seconds to switch to WX (weather channel), press again for Channel 15**



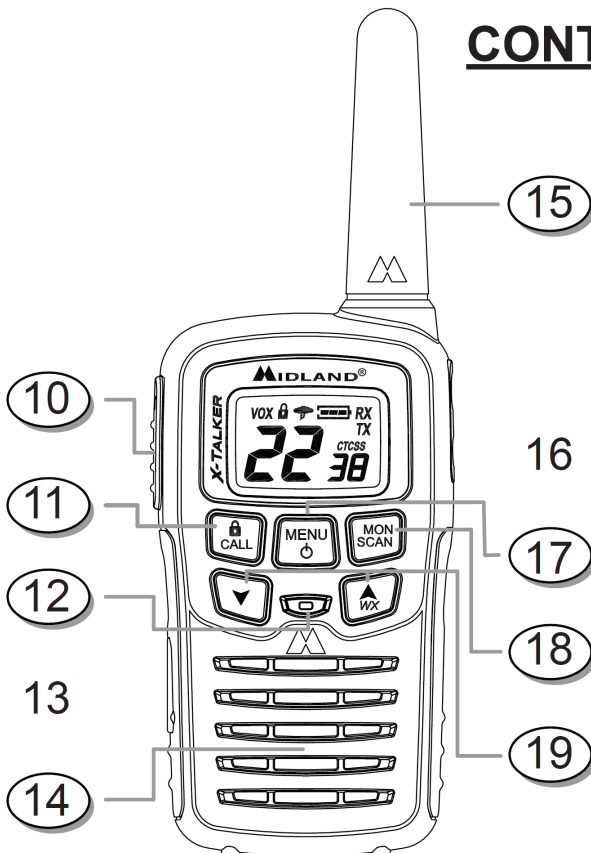
## LCD DISPLAY



1. **NOAA WEATHER (WX) BAND ICON** – Indicates when the radio is in Weather Band mode.
2. **KEY LOCK ICON** – Indicates KEY LOCK mode is on.

3. **VOX ICON** – Indicates when VOX mode is active.
4. **CHANNEL NUMBER** – Changes from 1~22 on GMRS/FRS band (1~10 on WX band).
5. **PRIVACY CODE** – Indicates Privacy Code selected by user (oF~38).
6. **BATTERY METER** – Indicates the battery level.
7. **RECEIVE (RX) ICON** – Indicates radio is receiving a transmission.
8. **TRANSMIT (TX) ICON** – Indicates radio is transmitting a signal.
9. **PRIVACY CODE ICON** – Indicates Privacy Code is on.

## CONTROLS



10. **PTT Button** – Press and hold to transmit voice communication.
11. **CALL/LOCK Button** – Press to send a CALL ALERT signal. Press and hold to turn KEY LOCK on/off.
12. **MIC** – Built-in microphone.
13. **USB CHARGING JACK (T31 only)**
14. **SPEAKER** – Built-in speaker.
15. **ANTENNA**
16. **EXTERNAL SPEAKER/MIC JACK (T31 only)**
17. **MENU Button** – Press momentarily to access Menu mode.
18. **MONITOR/SCAN Button** – Press to enter SCAN mode. Press and hold to enter MONITOR mode.
19. **UP/WX ▲ and DOWN ▼ Buttons** – Make adjustments in MENU mode. Press and hold the UP button for 3 seconds to activate the NOAA Weather Radio function.