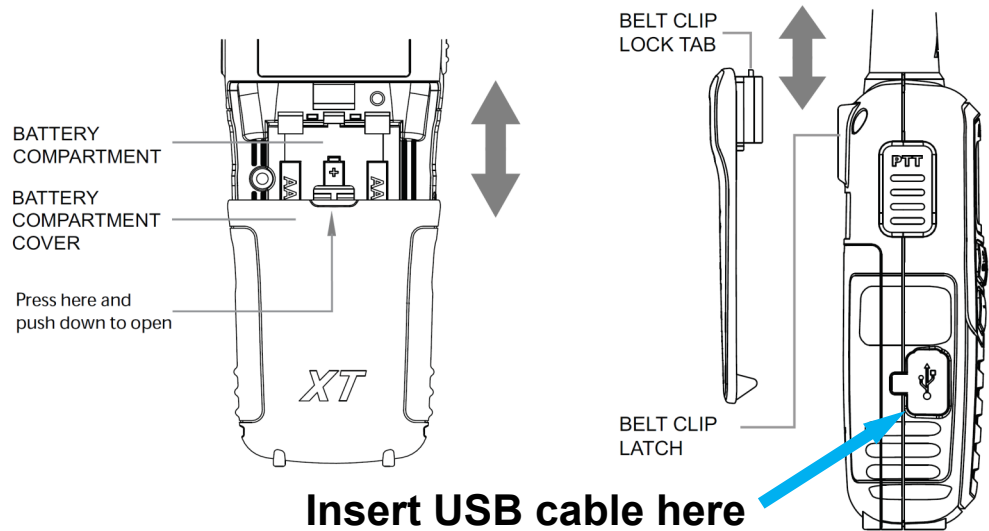


LWC Radio — Everybody Needs a Connection!

Midland T51 X-Talker® Radio Instructions

(Different Radio or Questions? - Contact Your Safety Area Captain for Help)

- 1) Either charge T51 using USB micro cable or alternatively, remove belt clip, open back, insert 3 AAA batteries & replace cover

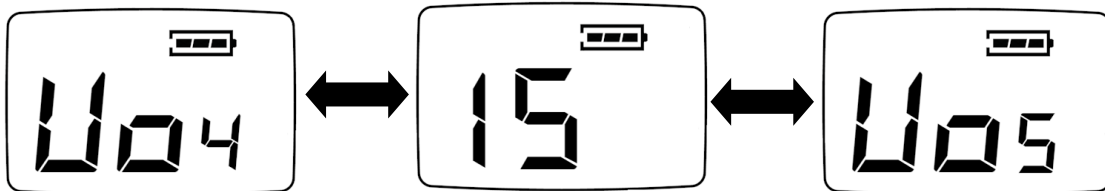


- 2) Press Menu / ⏻ (power) for 3 seconds to turn on radio

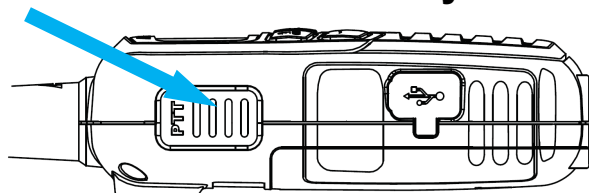


If not on Channel 15, press Menu / ⏻ button quickly, then press the ▼▲ (down/up) buttons to change channels

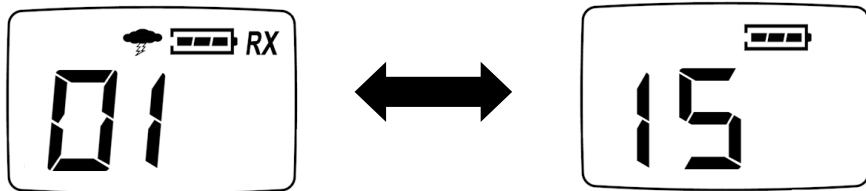
- 3) Press ▼▲ (down/up) to decrease or increase volume



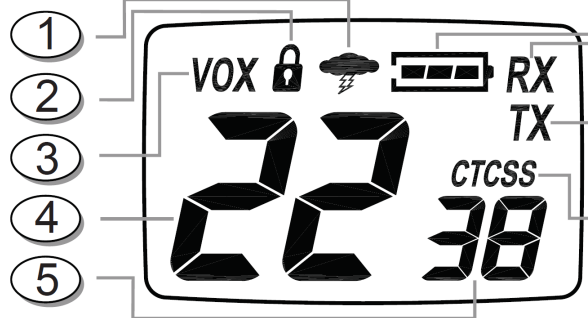
- 4) On Channel 15, press & hold the Push to Talk (PTT) button to talk. When finished, say “over” & **release** PTT button so others may talk.



5) Press here for 3 seconds to switch to WX (weather channel), press again for Channel 15

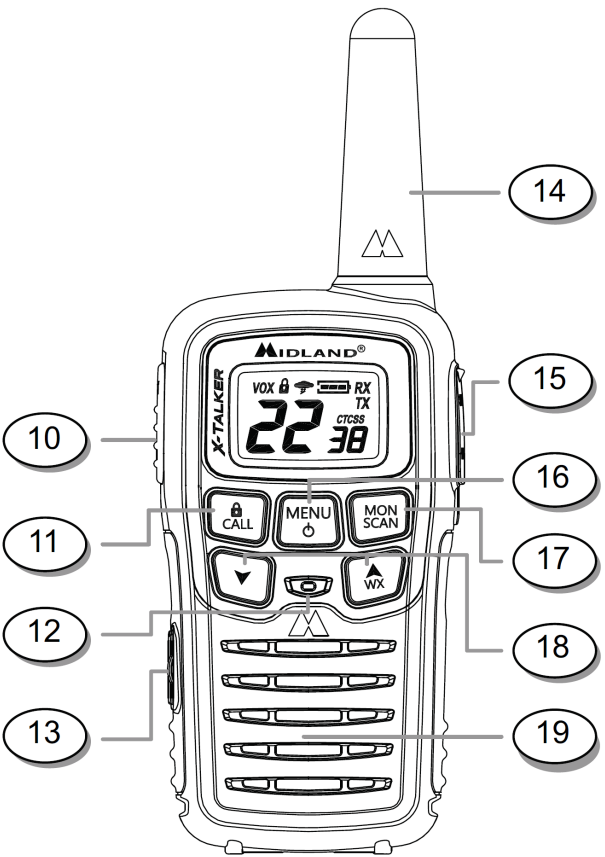


LCD DISPLAY



- 1. **NOAA WEATHER (WX) BAND ICON** –Indicates when the radio is in Weather Band mode.
- 2. **KEY LOCK ICON** – Indicates KEY LOCK mode is on.

- 3. **VOX ICON** – Indicates when VOX mode is active.
- 4. **CHANNEL NUMBER** – Changes from 1~22 on GMRS/FRS band (1~10 on WX band).
- 5. **PRIVACY CODE** – Indicates Privacy Code selected by user (oF~38).
- 6. **BATTERY METER** – Indicates the battery level.
- 7. **RECEIVE (RX) ICON** – Indicates radio is receiving a transmission.
- 8. **TRANSMIT (TX) ICON** – Indicates radio is transmitting a signal.
- 9. **PRIVACY CODE ICON** – Indicates Privacy Code is on.



- 10. **PTT Button** – Press and hold to transmit voice communication.
- 11. **CALL/LOCK Button** – Press to send a CALL ALERT signal. Press and hold to turn KEY LOCK on/off.
- 12. **MIC** – Built-in microphone.
- 13. **USB CHARGING JACK**
- 14. **ANTENNA**
- 15. **EXTERNAL SPEAKER/MIC JACK**
- 16. **MENU Button** – Press momentarily to access Menu mode.
- 17. **MONITOR/SCAN Button** – Press to enter SCAN mode. Press and hold to enter MONITOR mode.
- 18. **UP/WX ▲ and DOWN ▼ Buttons** – Make adjustments in MENU mode. Press and hold the UP button for 3 seconds to activate the NOAA Weather Radio function.
- 19. **SPEAKER** – Built-in speaker.