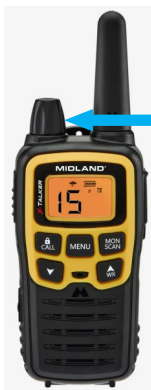
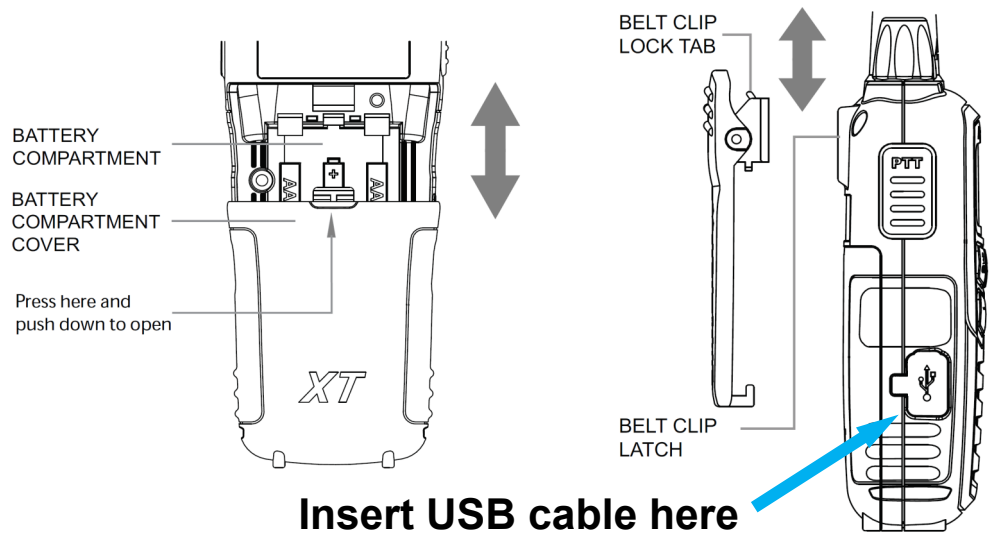


LWC Radio — Everybody Needs a Connection!

Midland T61 X-Talker® Radio Instructions

(Different Radio or

- 1) Either charge T61 using USB micro cable or alternatively, remove belt clip, open back, insert 3 AAA batteries & replace cover

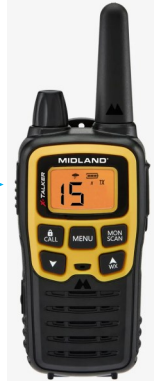
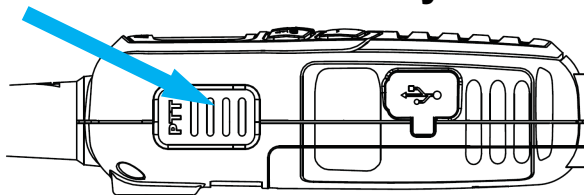


- 2) Rotate knob to turn on radio and adjust volume.



If not on Channel 15, press Menu button once, then press the (down/up) ▼▲ buttons to change channels.

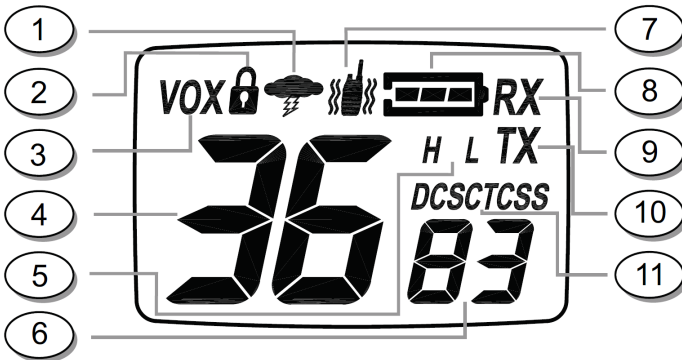
- 3) On Channel 15, press & hold the Push to Talk (PTT) button to talk. When finished, say “over” & **release** PTT button so others may talk.



- 4) Press & hold the UP/WX button for 5 seconds to switch to scan WX (weather channels), press the PTT button to go back to Channel 15

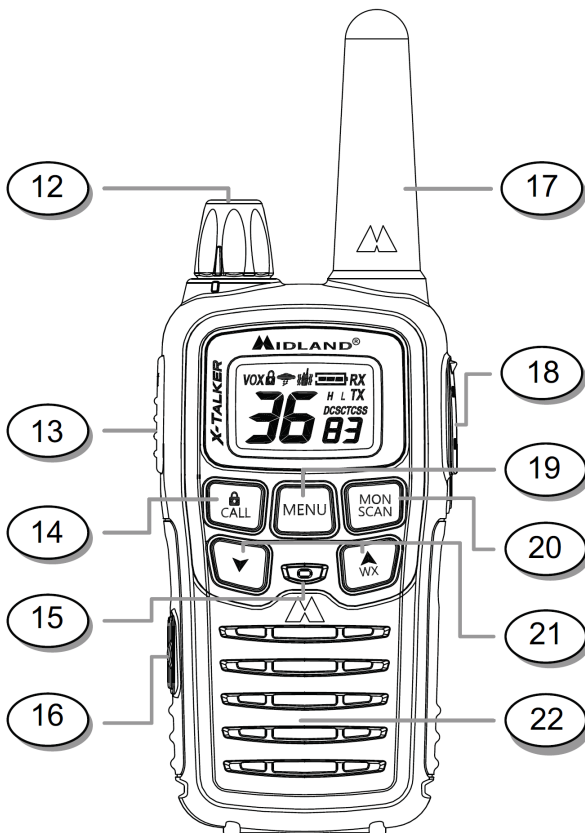


LCD DISPLAY



1. **NOAA WEATHER (WX) BAND ICON** – Indicates when the radio is in Weather Band mode.
2. **KEY LOCK ICON** – Indicates KEY LOCK mode is on.
3. **VOX ICON** – Indicates when VOX mode is active.
4. **CHANNEL NUMBER** – Changes from 1~36 on FRS band (1~10 on WX band).
5. **TRANSMIT POWER LEVEL ICON** – Indicates TX Power setting (H/L).
6. **PRIVACY CODE** – Indicates Privacy Code selected by user (oF~38/oF~83). It can only be set in Ch 1~22.
7. **VIBRATE ALERT ICON** – Indicates when the Vibrate-Alert feature is on (Model T65 only).
8. **BATTERY METER** – Indicates the battery level.
9. **RECEIVE (RX) ICON** – Indicates radio is receiving a transmission.
10. **TRANSMIT (TX) ICON** – Indicates radio is transmitting a signal.
11. **PRIVACY CODE ICON** – Indicates Privacy Code setting (CTCSS/DCS).

CONTROLS



12. **POWER/VOLUME KNOB** – Turn clockwise to turn the power on and increase the volume level. Turn counter-clockwise to decrease the volume level and turn the power off.
13. **PTT Button** – Press and hold to transmit voice communication.
14. **CALL/LOCK Button** – Press to send a CALL ALERT signal. Press and hold to turn KEY LOCK on/off.
15. **MIC** – Built-in microphone.
16. **USB CHARGING JACK**
17. **ANTENNA**
18. **EXTERNAL SPEAKER/MIC JACK**
19. **MENU Button** – Press momentarily to access Menu mode.
20. **MONITOR/SCAN Button** – Press to enter SCAN mode. Press and hold to enter MONITOR mode.
21. **UP/WX SCAN ▲ and DOWN ▼ Buttons** – Make adjustments in MENU mode. Press and hold the UP button for 5 seconds to activate the NOAA Weather Scan function.
22. **SPEAKER** – Built-in speaker.